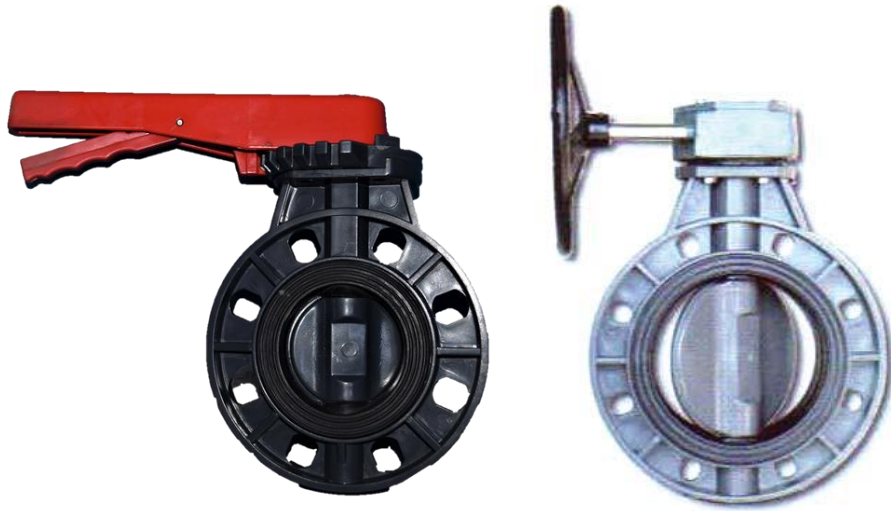
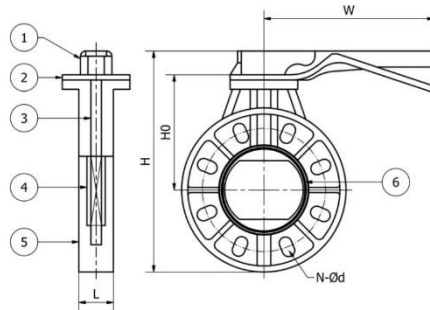




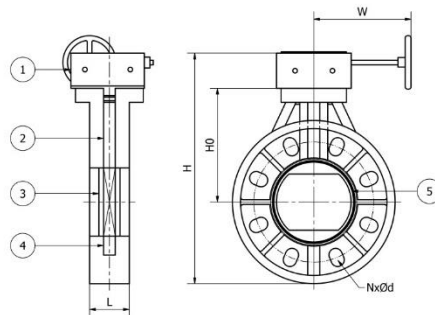
uPVC Wafer Butterfly Valve



Material List		
Item	Part	Material
1	Lever	ABS
2	Locking Plate	ABS
3	Spindle	2CR13.45
4	Seat	NBR, TPE, EPDM
5	Body	UPVC, ABS, FR-PP
6	Disc	UPVC, ABS, FR-PP



Material List		
Item	Part	Material
1	Gear Box	Ductile Iron
2	Spindle	2CR13.45
3	Disc	UPVC, ABS, FR-PP
4	Body	UPVC, ABS, FR-PP
5	Seat	NBR, TPE, EPDM



Dimensions							
DN	Inch	W	H0	H	L	N X Ød	Mpa
80	3"	140	125	300	49	8xØ22	1.0
100	4"	140	140	340	55	8xØ22	1.0
125	5"	200	154	370	65	8xØ26	1.0
150	6"	200	165	395	70	8xØ26	1.0
200	8"	200	228	470	88	8xØ26	1.0
250	10"	210	258	535	101	12xØ28	0.6
300	12"	210	305	590	106	12xØ28	0.6
400	16"	270	356	740	120	16xØ28	0.4