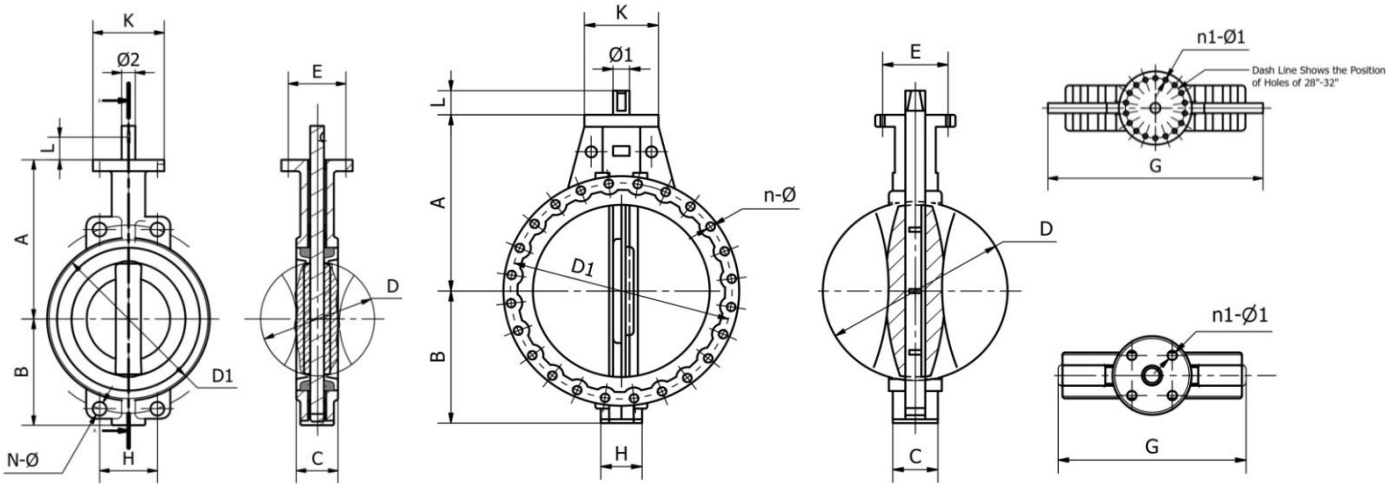




Wafer Butterfly Valve Dimensions



Size		A	B	C	D	L	H	D1	N-ø	K	E	n1-ø1	ø2	G	Torq Nm	Mass (kg)	
mm	Inch																
50	2"	161	80	42	52.9	32	84.84	120	4-23	77	50	4-6.7	12.6	118	17	3	
65	2.5"	175	89	44.7	64.5	32	96.2	136.2	4-26.5	77	50	4-6.7	12.6	137	30	3	
80	3"	181	95	45.2	78.8	32	61.23	160	8-18	77	50	4-6.7	12.6	143	39	4	
100	4"	200	114	52.1	104	32	70.80	185	4-24.5	92	70	4-10.3	15.77	156	62	5	
125	5"	213	127	54.4	123.3	32	82.28	215	4-23	92	70	4-10.3	18.92	190	95	7	
150	6"	226	139	55.8	155.6	45	91.08	238	4-25	92	70	4-10.3	18.92	212	138	8	
200	8"	260	175	60.6	202.5	45	112.89	295	4-25	115	102	4-14.3	22.10	268	226	14	
							76.35		4-23								
250	10"	292	203	65.6	250.5	45	92.40	357	4-29	115	102	4-14.3	28.45	325	360	19	
300	12"	337	242	76.9	301.6	45	105.3	407	4-29	140	102	4-14.3	31.60	403	514	31	
350	14"	368	267	76.5	333.3	45	91.11	467	4-30	140	102	4-14.3	31.60	436	658	39	
400	16"	400	309	86.5	389.6	45	51.2	100.47	515	4-26	197	140	4-20.6	33.15	488	1017	54
							72	102.4	525	4-30							
450	18"	422	328	105.6	440.51	45	51.2	88.39	565	4-26	197	140	4-20.6	38	539	1485	70
							72	91.51	585	4-30							
500	20"	480	361	131.8	491.6	45	4.2	96.9	620	4-26	197	140	4-20.6	41.15	593	1833	111
							82	101.69	650	4-33							
600	24"	562	459	152	592.5	45	70.2	113.42	725	20-30	276	165	4-20.6	50.65	816	3320	193
							82	120.46	770	20-36							
700	28"	624	520	163	695	45	66	109.65	840	24-30	300	254	8-18	55	895	5142	484
							82			20-36				63.35			
800	32"	672	591	188	794.7	45	66	124	950	24-33	300	254	8-18	55	1015	7400	368
							82			24-39				63.35			
900	36"	720	656	203	864.7	118	117.57	1050	24-33	300	254	8-18	75	1115	10455	713	
1000	40"	800	721	216	965	142	129.89	1160	24-36	300	254	8-18	85	1230	12171	864	

Note:

The dimensions D1 and n-ø of DN500 (20") listed in above table show the installation dimensions of butterfly valve. Of which the dimensions D1 and n-ø of DN50 (2") ~ 350 (14") contain the standard of GB9112-88, DIN2501 (Germany), BS4504 (UK), ISO2084, ISO2531, BS10-E (UK), ANSI125 (USA) for flange connection and DN400 (16") ~ 500 (20") contain the standard of GB9112-88, DIN2501, ISO2084 and BS4504, ISO5211.

Torque figures include a safety factor.